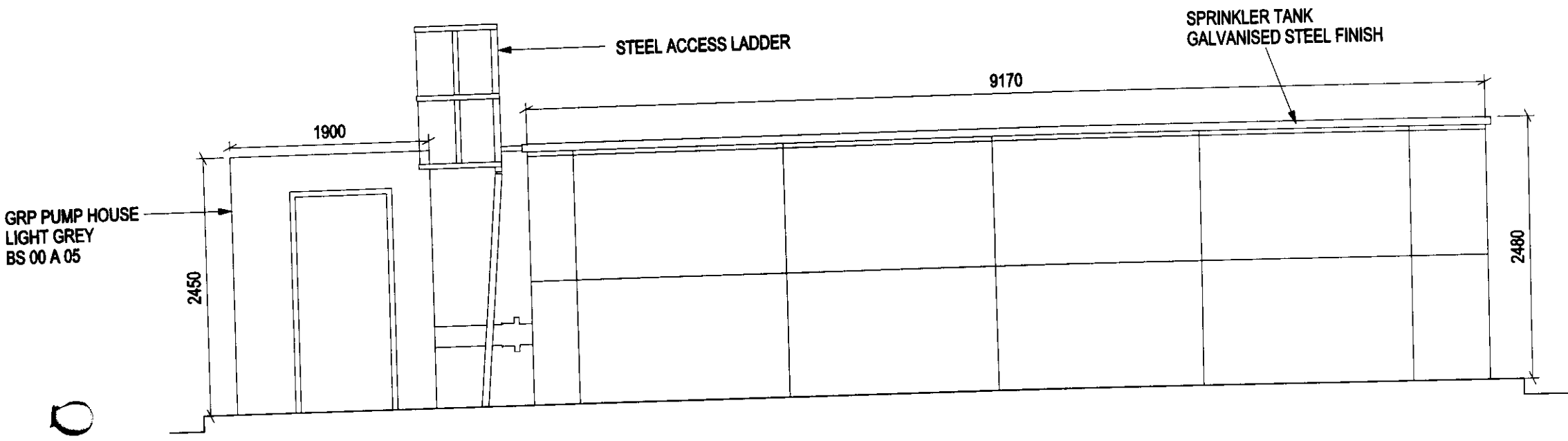
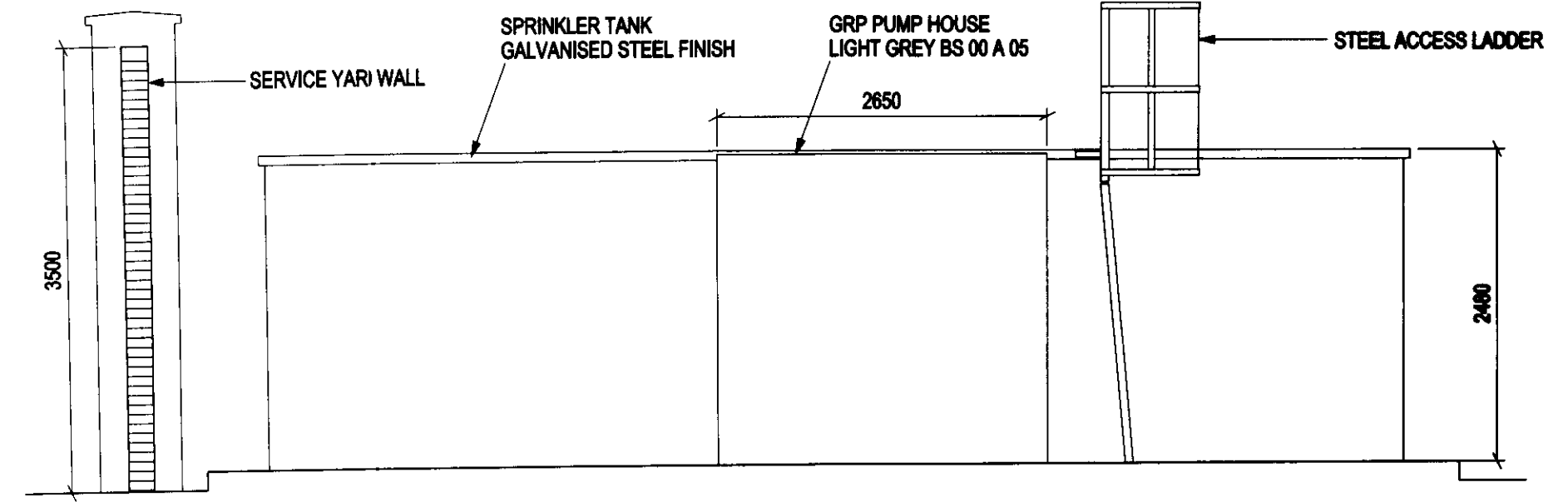


Carlin 20
Drawing
M



ELEVATION A OF SPRINKLER TANK AND PUMP HOUSE



ELEVATION B OF SPRINKLER TANK AND PUMP HOUSE

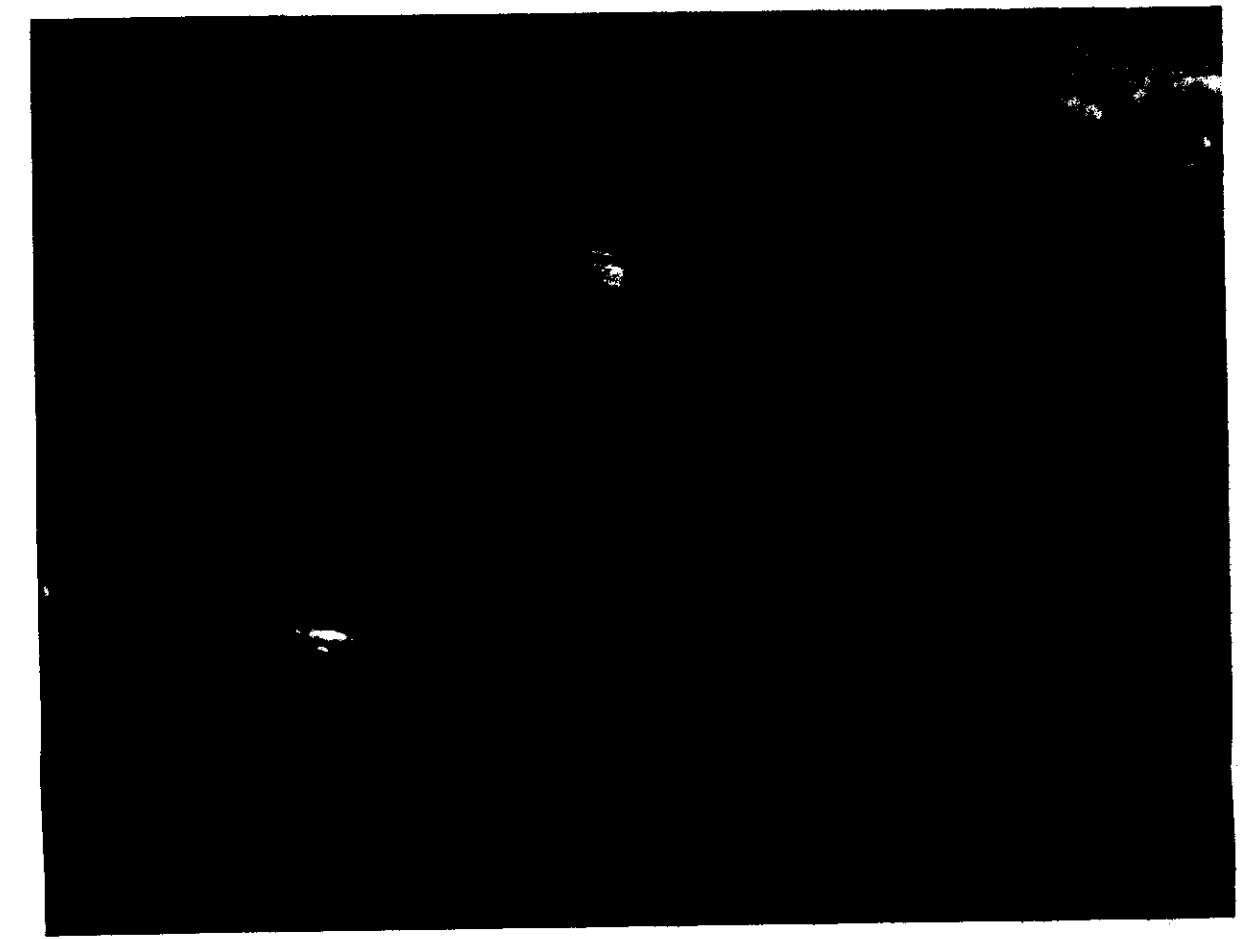
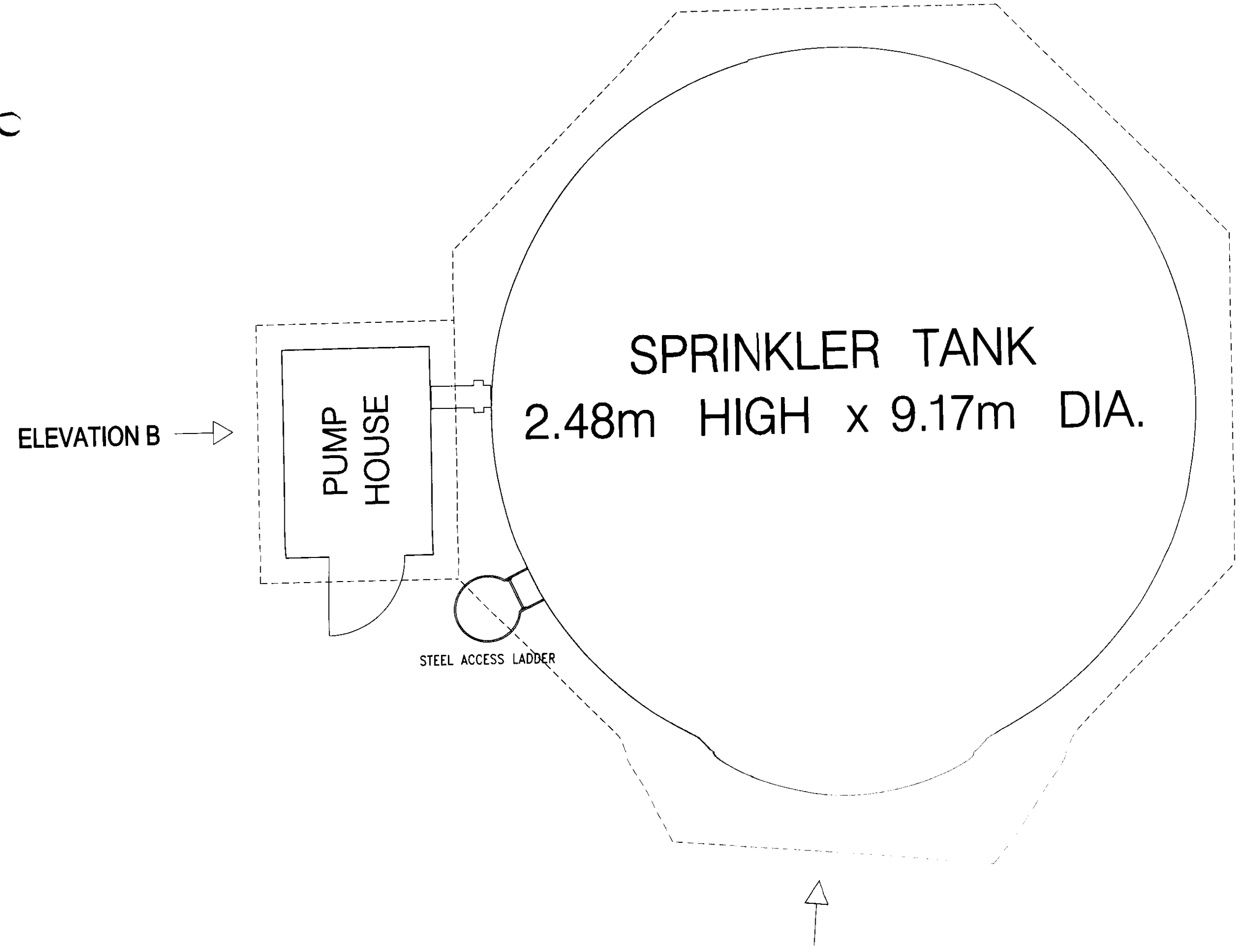


PHOTO OF SIMILAR SPRINKLER TANK AND PUMP HOUSE

Buxton Borough Council
 Planning & Community Development
 3653.
 - 6 MAR 2010
TESCO
 SMITH & SMALLEY
 TSK 42